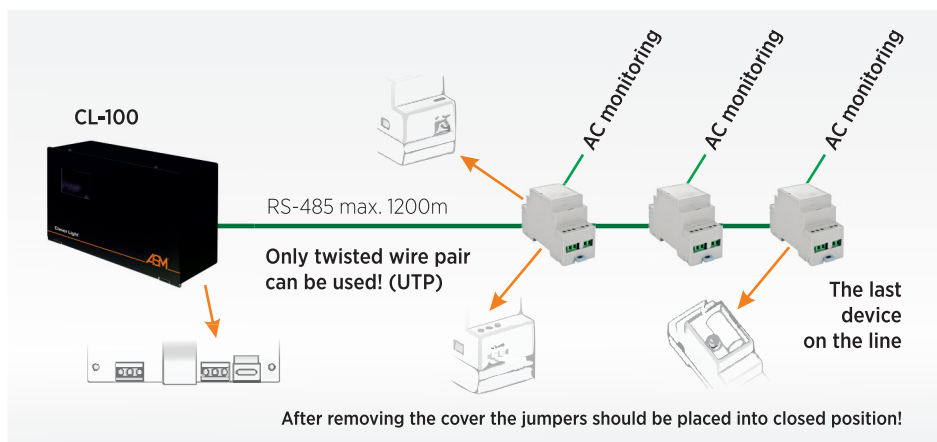


# CL-AC control module

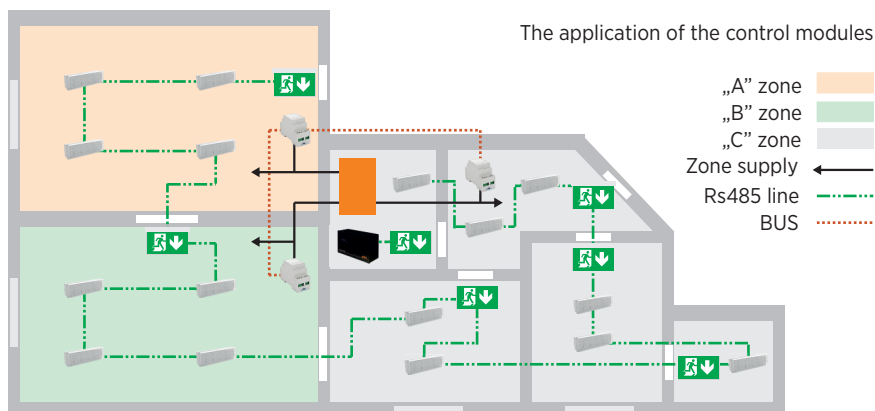
It can be fitted with twisted pair only | Max. cable length 1200 m | Max. 32 pcs control modules can be stringed per line



It monitors the voltage's presence in the electrical sub-network and communicates with the master panel/sub-panel via RS-485. In case use of the potential free input, the continuous power supply must be provided (AC 230V) The modul's PF input is activated in case of short-circuit. Max 3 different groups controlling.



## Example for the CL-AC control module



	CL-AC control module
Input (for phase monitoring)	AC 230V/pot free power control max. cable length: 1200 m max. device no.: 32 pcs
Current drain	11 mA
Power	2.5 VA
Closing resistor (active with jumper)	For closing the RS485 line on the last AC control
Connection (to panel)	RS485
Battery	6V 80mAh