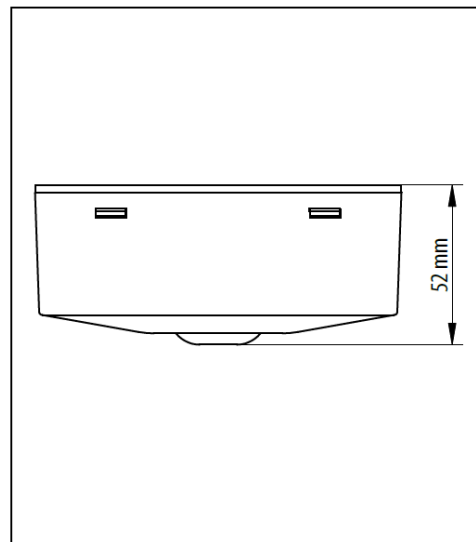
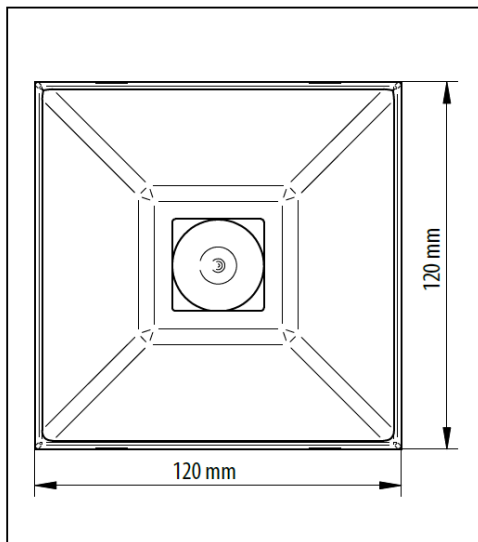




# CLEVER LIGHT CL-313 R/F SLAVE/CON/MB



<b>Luminaire</b>	Conventional
<b>Mounting</b>	On ceiling
<b>Lamp</b>	LED/50 000h
<b>Lamp power</b>	3W
<b>Warranty</b>	2 years repair warranty
<b>Standby duration</b>	1-3h
<b>Housing</b>	Polycarbonate
<b>Color of housing</b>	White
<b>Operation</b>	Standby
<b>Mains supply</b>	120-240 V 50-60 Hz
<b>Input current</b>	25mA
<b>Battery</b>	Ni-Mh
<b>Protection category</b>	IP20
<b>Certification</b>	CE, UL
<b>R/F</b>	R-circular emitting lens, F-for corridors



CL-313R	Escape route 2m wide 1 lux min				Open (anti-panic) area 0.5 lux min			
Mounting height (m)	Transverse to wall	Transverse to transverse	Axial to wall	Axial to Axial	Transverse to wall	Transverse to transverse	Axial to wall	Axial to Axial
2.5	2.56	9.81	2.58	9.94	5.29	16.64	5.78	16.74
3	2.32	7.37	2.3	7.38	3.68	15.88	3.69	15.3
4	0	6.91	0	6.82	3.45	10.53	3.41	10.47
6	0	0	0	0	0	6.81	0	6.85

CL-313F	Escape route 2m wide 1 lux min				Open (anti-panic) area 0.5 lux min			
Mounting height (m)	Transverse to wall	Transverse to transverse	Axial to wall	Axial to Axial	Transverse to wall	Transverse to transverse	Axial to wall	Axial to Axial
2.5	4.02	9.91	2.4	6.27	4.95	12.55	3.13	7.88
3	4.38	10.62	2.48	6.62	5.31	13.28	3.31	8.34
4	5.09	12.07	2.42	6.97	6.03	14.73	3.48	9.25
6	1.41	12.39	2.15	6.84	7.46	17.6	3.42	9.96
8	0	4.93	0	3.77	3.69	17.47	3.33	9.71
10	0	0	0	0	0	13.2	0	6.86