

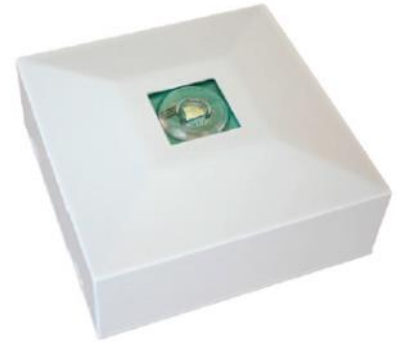
# Installation, operation and maintenance instructions for emergency models CL-313 R/F SLAVE/CON/MB

**Body:** Polycarbonate house in white or gray colors

**Mounting:** On ceiling

**Specifications:**

- Mains supply 230V 50Hz
- Input current 25mA
- Charging time 24h
- Individually powering of and independent system
- Self-contained Ni-Mh
- Standby operation 3W
- LED charging indicator
- Rated luminous flux in case of emergency operation: 300lm
- Protection category: IP20
- Operation temperature: 0-40°C
- Emergency runtime: 1-3h
- Manual testing: touch button
- R = circular emitting lens; F = for corridors



**Touch for the TEST mode:**



**Modes of the LED indicator:**

Normal battery mode with full battery			5 min			5 min			5 min			5 min
Normal battery mode with battery charging			5 min			5 min			5 min			5 min
Test mode												
Battery Error												
LED Error (emergency operation)			5 min			5 min			5 min			5 min

GREEN LED

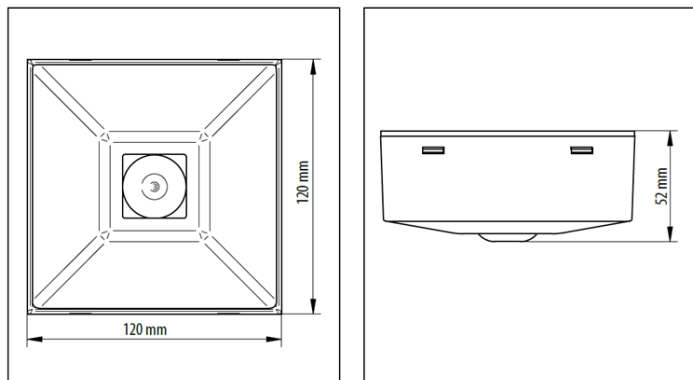


RED LED



1. Normal operation: the green LED is lighting continuously and the red LED flashes every 5 minutes during the battery check.
2. Normal Operation mode with battery charging: the green LED is lighting continuously and the red LED flashes every 5 minutes. Regardless of the battery charge level, you run a refreshing cycle once a week.
3. TEST mode: push the TEST button for 3 seconds to start TEST mode. During testing the green and red LED flashing alternately. The lighting unit can be ordered with three test timings, which can be optionally selected with a cycle time of 10, 30 and 60 minutes.
4. Battery error: The red LED is flashing continuously. In this case the problems could be the following: the battery broke, or there is an electricity breakdown in one of the cells of the battery, or the battery is end of life.
5. LED error: In this mode, the red LED is lighting continuously and the green LED flashes every 5 minutes.

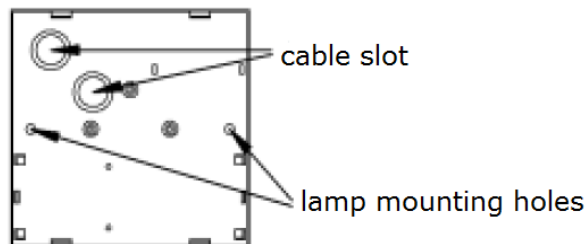
### Dimensions:



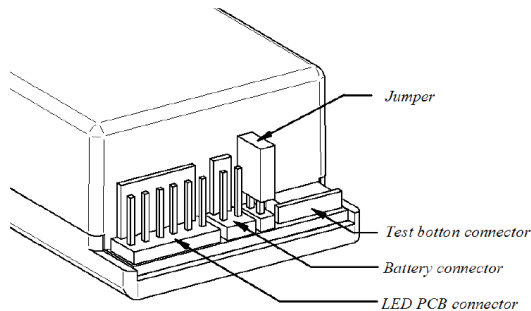
### Fixing options:

The fixture can be fixed to the ceiling via the supplied holes through the supplied fasteners. For fixing, a 6mm hole is required in the ceiling.

The two larger circular openings are used for the cable, which is also indicated on the picture.



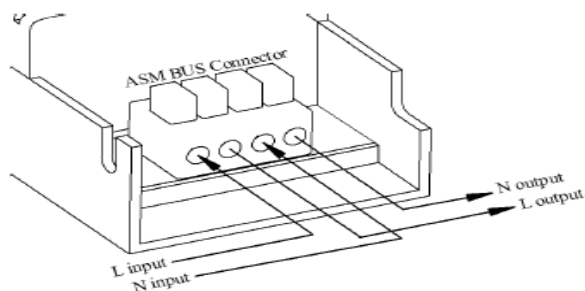
### Connection to the main wire



Max.  $\varnothing$  1,5mm<sup>2</sup>

Connect the mains wire, the LED module and the battery to the luminaire on basis of the image. The proper phasing is not important because in case of reverse wiring the lamps work without problem, however to avoid short circuit you should pay attention of the incoming and outgoing into the direction of following device electrical wire pairs correct sequences in relation to one another.

### Other connectors:



L input – ASM BUS wire incoming phase  
N input – ASM BUS wire incoming zero  
L output – ASM BUS wire outgoing phase  
N output – ASM BUS wire outgoing zero

**CAUTION!** The device works from mains supply. The mounting should be happen only with the supplied retainers. Important! Ensure that the battery is connected to the luminaire before connect the luminaire to the mains supply. In case of maintenance ensure that the device is disconnected from the power. The producer will not take the responsibility for the damages caused by improper usage. The installation of this Emergency System shall be performed by an authorized personnel who is qualified to perform the installation in accordance with ANSI/NFPA 101, „Life Safety Code“, Article 700 of ANSI/NFPA 70, NEC „National Electrical Code“, the Federal, State & local municipal requirements and or any other requirements applicable and as warranted.